

8 W 5411

8" W[®] cone woofer-midrange



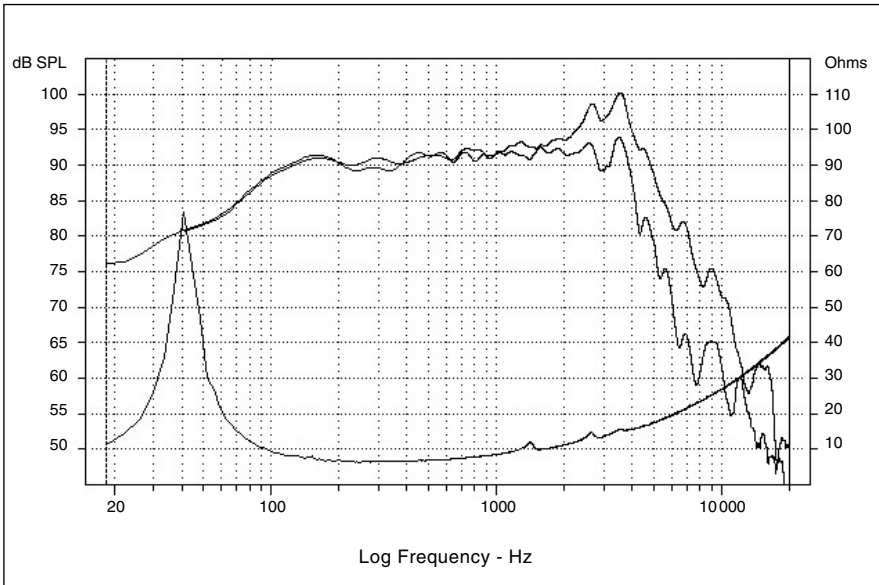
- Thick zamak alloy metal cast frame
- Straight profile "W"[®] cone. rubber surround
- Edgewound flat copper wire 40mm voice coil, black Kapton[®] former
- Efficiency: 90.8dB
- Excellent for 20 to 25l vented 2-way systems, superb transients



Specifications

Nominal power	90 W	
Maximum power	150 W	
Sensitivity	89.78 dB	
Cone	"W" [®]	
Surround	rubber	
Nom. impedance	6 ohms	
DC resistance	5.7 ohms	
VC diameter	40 mm	6.2 in
VC height	13 mm	0.51 in
Former	Kapton [®]	
Layers	1	
Wire	copper	
Inductance	0.69mH	
Xmax	3.5 mm	0.14 in
Magnet d x h	121 x 20 mm	4.76 x 0.78 in
Magnet weight	876 g	1.93 lb
Flux density	1.3 T	
Gap height	6 mm	0.24 in
Net weight	2.5 kg	5.51 lb

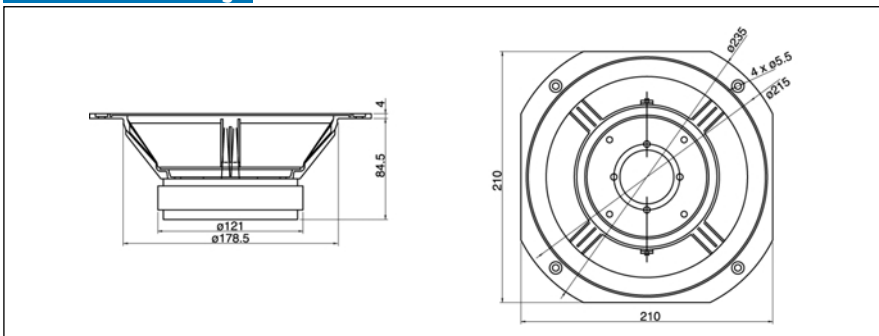
Frequency Response / Impedance



Parameters

Fs	41.2 Hz	
Vas	41.9 l	2556.9 in3
Qts	0.34	
Qes	0.37	
Qms	4.8	
Re	5.7 ohms	
Sd	221.7 Cm ²	34.4 in2
Cas	299E-09 m5/N	
Mas	50.1 kg/m4	
Ras	2698.9 ohms.ac	
Cms	0608E-6 m/N	
Mms	24.62 g	0.054 lb
Rms	1.33 g/s	
Ces	251.1 mF	
Les	59.6 mH	
Res	73.9 ohms	
BI	9.9 N/A	
SPL	90.8 dB/W/m	

Mechanical Drawing



Suggested application

Load	V (l)	Fb (Hz)	F-3 (Hz)	Ql
Vented	30	49.9	47	7

Focal[®] is a trademark of Focal-JMLab[®]